

Thin Plate Pure Lead

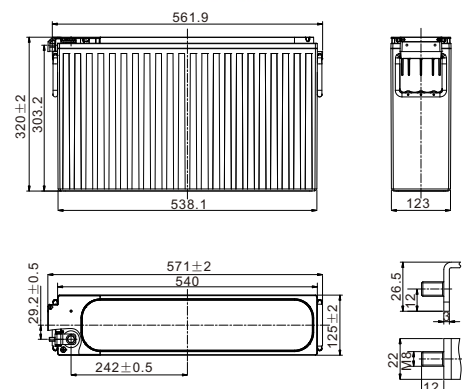
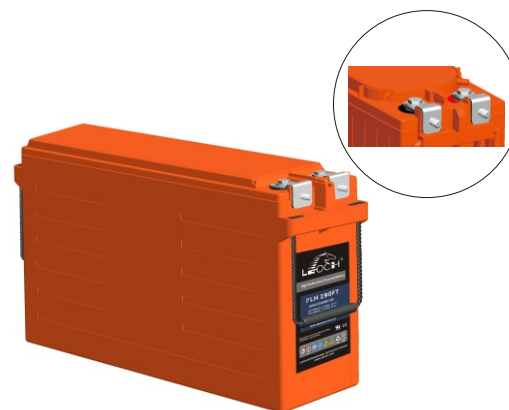


PLH190FT (12V190Ah)

PLH SERIES
LONG STANDBY LIFE

Specification

Nominal Voltage	12V	
Rated Capacity (Ah)	190Ah	(C ₁₀ , 1.80V/cell, 25°C)
	190Ah	(C ₈ , 1.75V/cell, 25°C)
Dimension	Length	562±2mm (22.1 inches)
	Width	125±1mm (4.92 inches)
	Height	320±2mm (12.6 inches)
	Total Height (with Terminal)	320±2mm (12.6 inches)
Weight	57.8Kg (127.4 lbs)	
Terminal	Threaded M8 (T11) insert with M6 front terminal adaptor	
Container Material	PC-ABS flame retardant jar and cover to UL94V-0	
Max. Discharge Current	1500A (5s)	
Internal Resistance	Approx 3.0mΩ(Fully charged)	
Operating Temp.Range	Discharge : -40°C ~ 65°C (-40°F ~ 149°F)	
	Charge : 0°C ~ 40°C (32°F ~ 104°F)	
	Storage : -20°C ~ 40°C(-4°F ~ 104°F)	
Capacity affected by Temperature	40°C (104°F)	103%
	25°C (77°F)	100%
	0°C (32°F)	86%
Storage	<p>PLH series batteries can be stored up to 24 months at 25°C(77°F), For higher temperatures the time interval will be shorter.</p> <p>Battery needs to be given a freshening charge when the OCV approach 2.10V/cell or when the maximum storage time is reached, whichever occurs first.</p>	



Unit: mm



Constant Current Discharge (Amperes) at 25 °C (77°F)

F.V/Time	10min	15min	20min	30min	45min	1h	2h	3h	4h	5h	8h	10h	20h
1.85V/cell	341.5	287.2	249.5	195.0	149.8	123.1	73.3	52.8	41.2	33.1	22.3	18.4	9.67
1.80V/cell	377.8	315.6	267.1	210.0	158.3	128.7	76.2	54.6	43.1	34.0	23.0	19.0	9.98
1.75V/cell	408.5	337.0	282.3	218.8	162.5	133.7	77.8	55.6	44.1	34.6	23.4	19.2	10.1
1.70V/cell	434.6	352.6	295.2	226.0	167.3	136.8	78.9	56.3	44.9	35.0	23.8	19.4	10.1
1.67V/cell	456.3	361.5	301.7	231.0	170.3	138.9	79.5	57.1	45.6	35.2	24.0	19.5	10.2
1.60V/cell	461.2	376.4	311.9	236.2	174.7	140.2	80.2	58.0	46.1	35.4	24.2	19.7	10.3

Constant Power Discharge (Watts/cell) at 25 °C (77°F)

F.V/Time	10min	15min	20min	30min	45min	1h	2h	3h	4h	5h	8h	10h	20h
1.85V/cell	645.1	563.1	457.5	374.1	292.9	243.7	146.4	107.7	84.9	69.8	44.8	37.3	20.2
1.80V/cell	706.3	604.9	491.5	396.9	307.4	254.2	151.0	109.8	86.7	71.3	45.7	37.9	20.6
1.75V/cell	759.9	642.4	519.6	414.2	317.7	261.2	153.9	111.3	87.8	72.0	46.2	38.2	20.8
1.70V/cell	803.5	675.0	542.2	428.0	326.0	266.7	156.0	112.4	88.4	72.6	46.5	38.4	21.0
1.67V/cell	825.5	690.5	553.1	434.4	329.7	269.1	156.8	112.7	88.7	72.7	46.6	38.5	21.0
1.60V/cell	860.3	712.5	568.9	442.7	333.6	271.3	157.4	113.0	88.9	72.9	46.7	38.6	21.1

Specifications subject to change without notice.

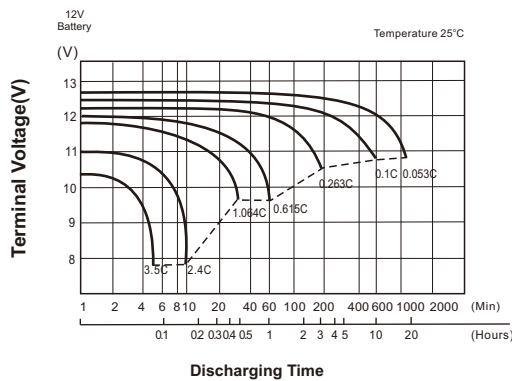
Thin Plate Pure Lead



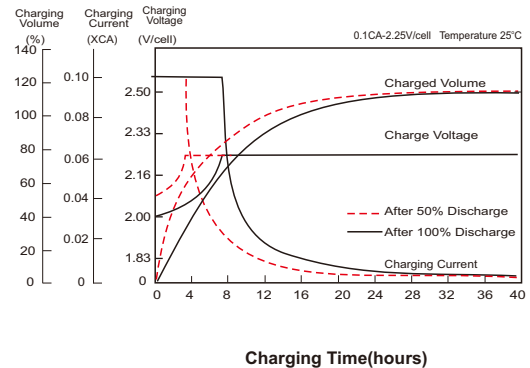
Features & Benefits

- 20 years design life(25°C)
- Low internal resistance
- Fast Charging Acceptance
- Premium ABS+ jar & covers
- IATA Approved for Air Freight
- Heat sealed plastic container
- UL Recognized, IEC Certified
- Automated COS & TTP welding
- M6 & M8 Terminal adapter options
- Flame Retardant to UL94V-0
- Long Shelf Life up to 2 years @25°C(77°F)
- High-rate performance, high energy density
- Virgin pure lead plates / copper alloy terminal inserts
- Excellent high rate discharge capability for emergency backup power supply.
- High quality AGM separators minimize electrical resistance to allow high current discharging properties.
- Outstanding high rate charge capability with Thin Plate Pure Lead technology

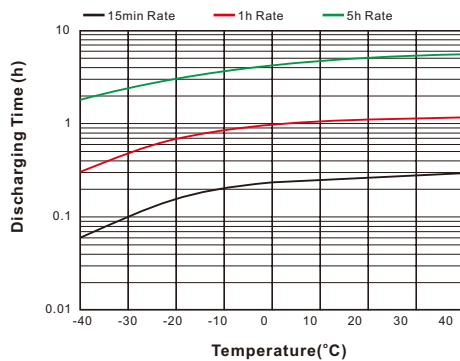
Discharging Characteristics



Charging Characteristics



Effect of Temperature on Discharging Time



Float Life

